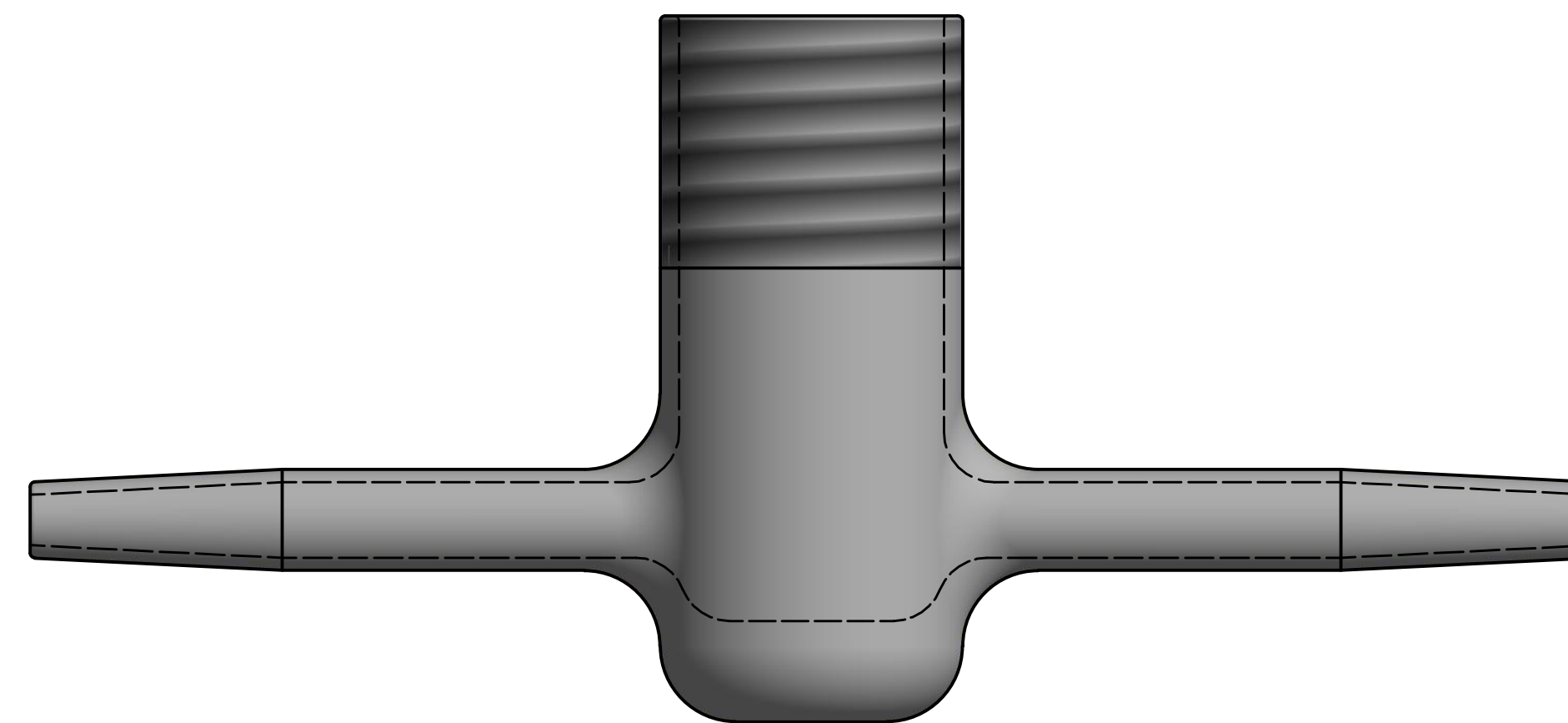
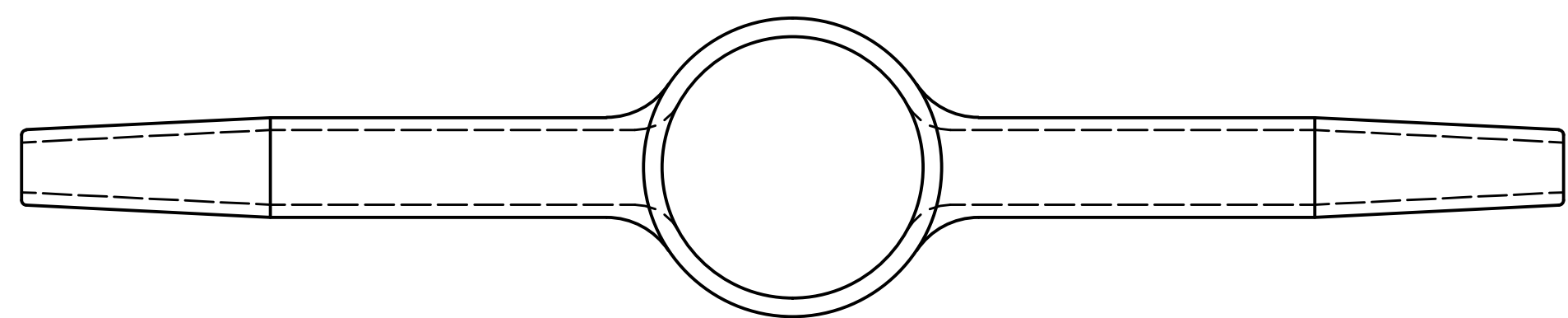


8 7 6 5 4 3 2 1

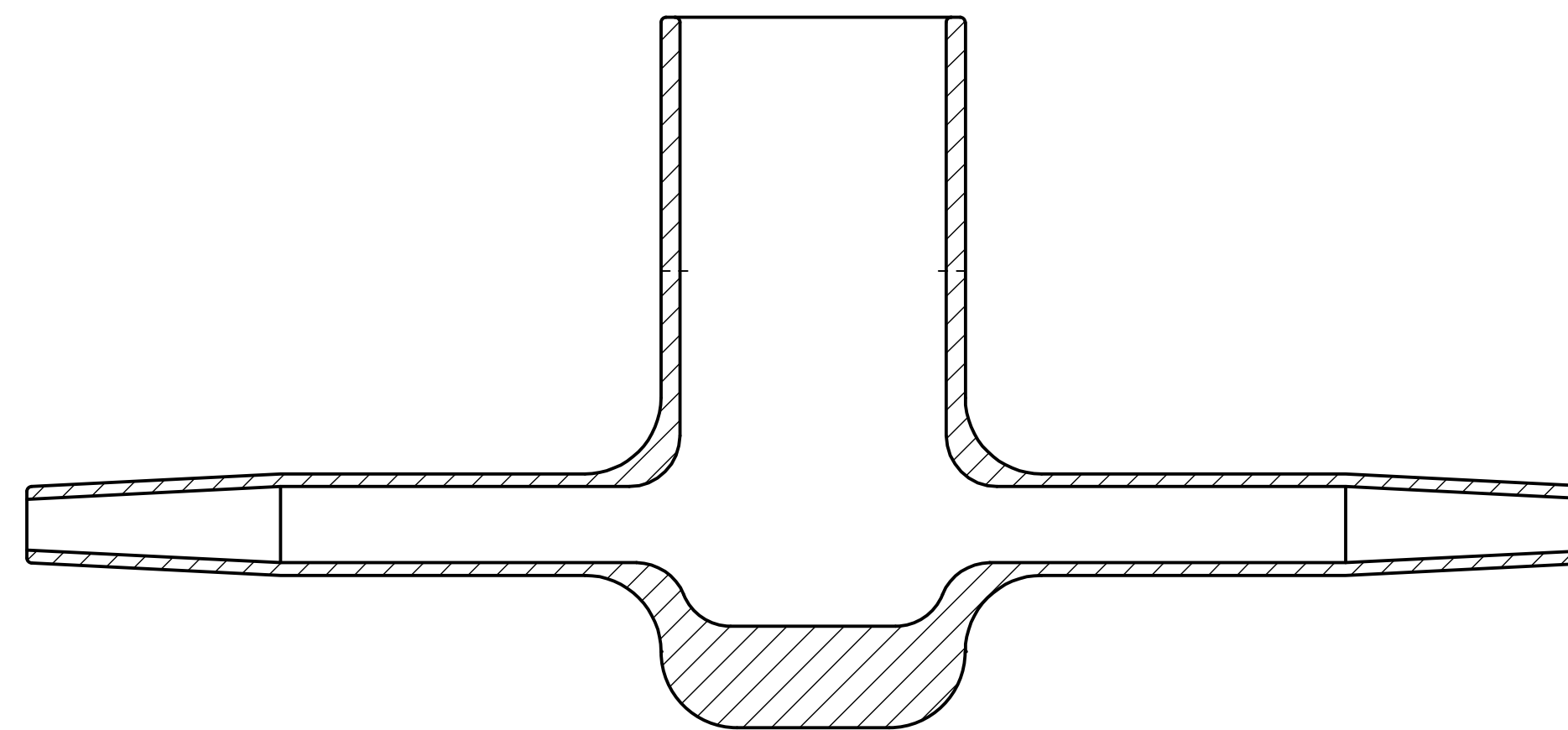
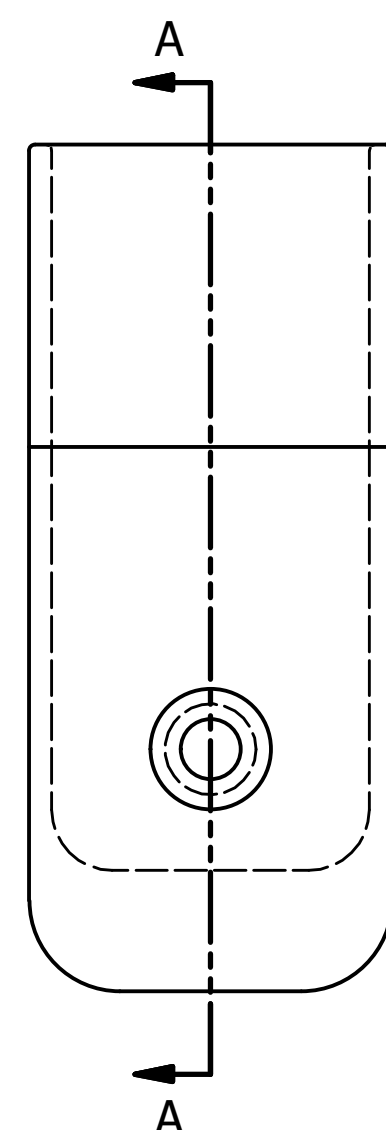
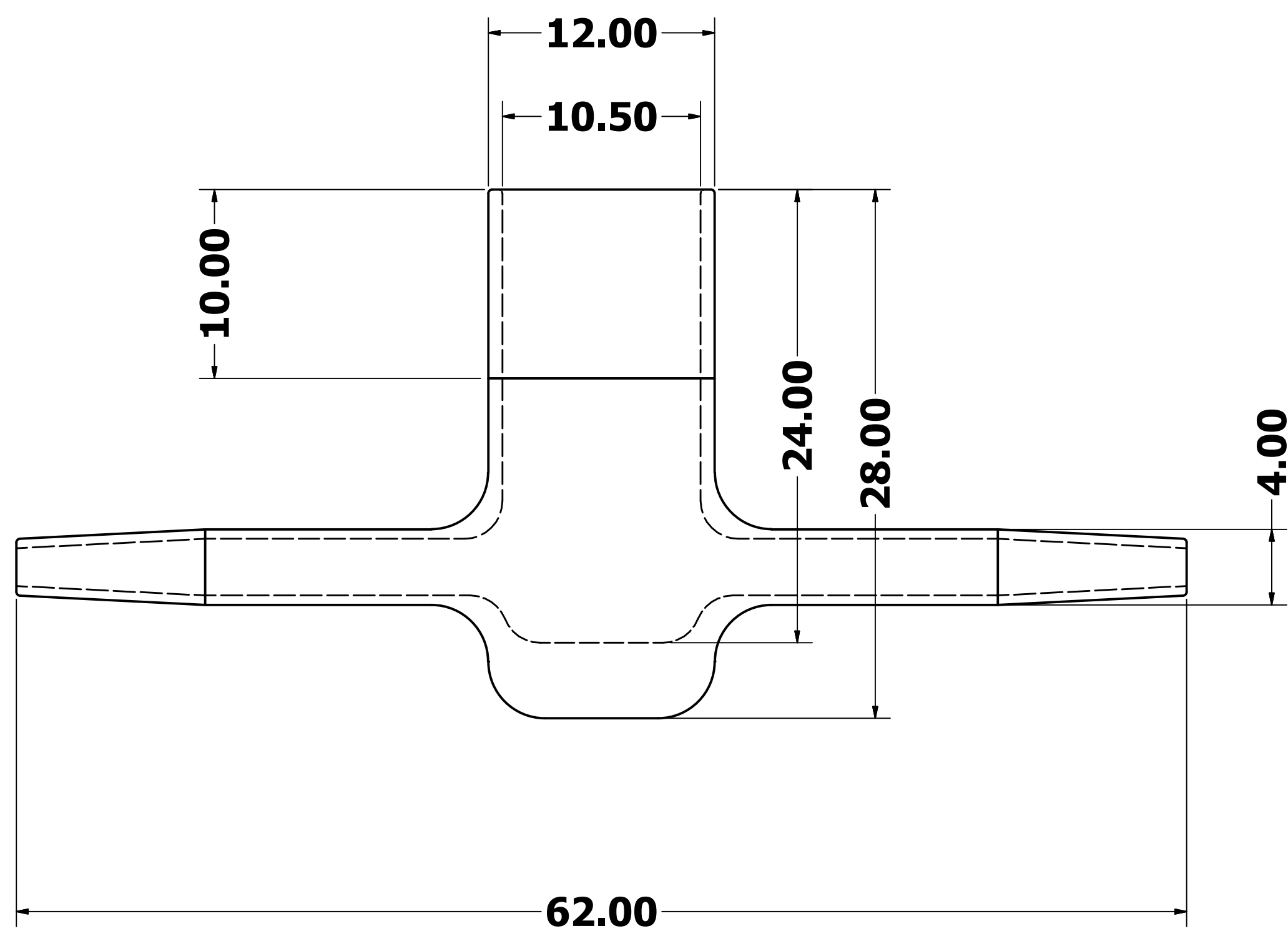
D

D



C

C



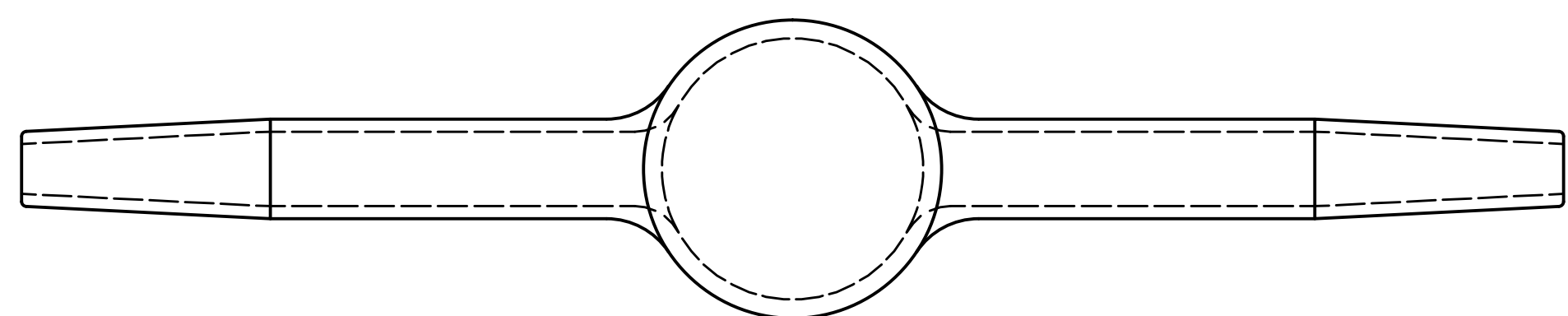
SECTION A-A
SCALE 4 : 1

B

B

A

A



DRAWN	christia	25.06.2018			
CHECKED			TITLE		
QA					
MFG					
APPROVED					
			SIZE	DWG NO	REV
			D	sample-port	
			SCALE	4 : 1	SHEET 1 OF 1

8 7 6 5 4 3 2 1